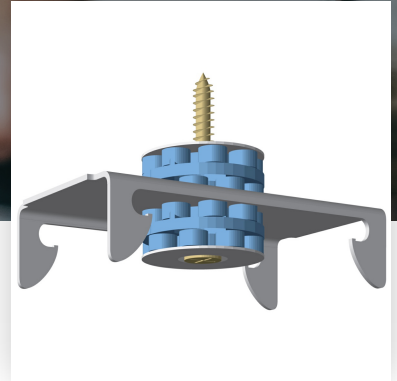




Product Data Sheet

Resilient Mount Clip



A quiet achiever, Gyprock Resilient Mount Clips reduce transfer of sound through wall and ceiling structures in acoustic wall and ceiling systems where a high level of noise reduction is required.

Product Overview

Noise, particularly low frequencies can transfer through solid structures. This means that sound can pass through the wall studs, floor and top plates into the next room.

Gyprock Resilient Mounts are furring channel fixing clips with a fastener that is isolated by acrylic pads. These are affixed to the wall frame with furring channels attached and acoustic plasterboard is then mounted to the frame. This discontinuous construction method dramatically reduces impact noise and structure borne noise with minimal increase in wall thickness. An associated benefit of the use of Resilient Mounts is the air void created which also provides noise reduction.



Acoustic Properties

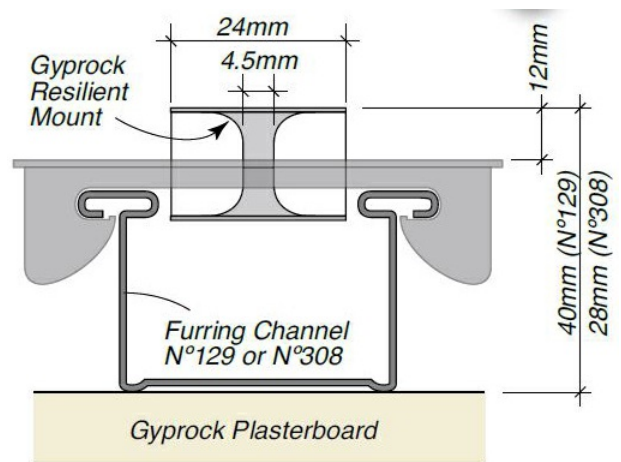
Helps combat sound transmission

Typical Applications

Gyprock Resilient Mounts are used in conjunction with Rondo steel sections for acoustic walls and soundproof rooms where a high level of noise reduction is required.

Resilient Mount Clip Dimensions

- ✓ Furring channels No129 (40mm) or No308 (28mm) can be used depending on individual installation requirements



Installation Instructions

Resources

Gyprock makes available **resources** that provide comprehensive selection, design, installation and maintenance guidance.



Manufactured for Life

Gyprock products are manufactured for life with all CSR products designed to achieve optimal performance when part of a CSR integrated system.